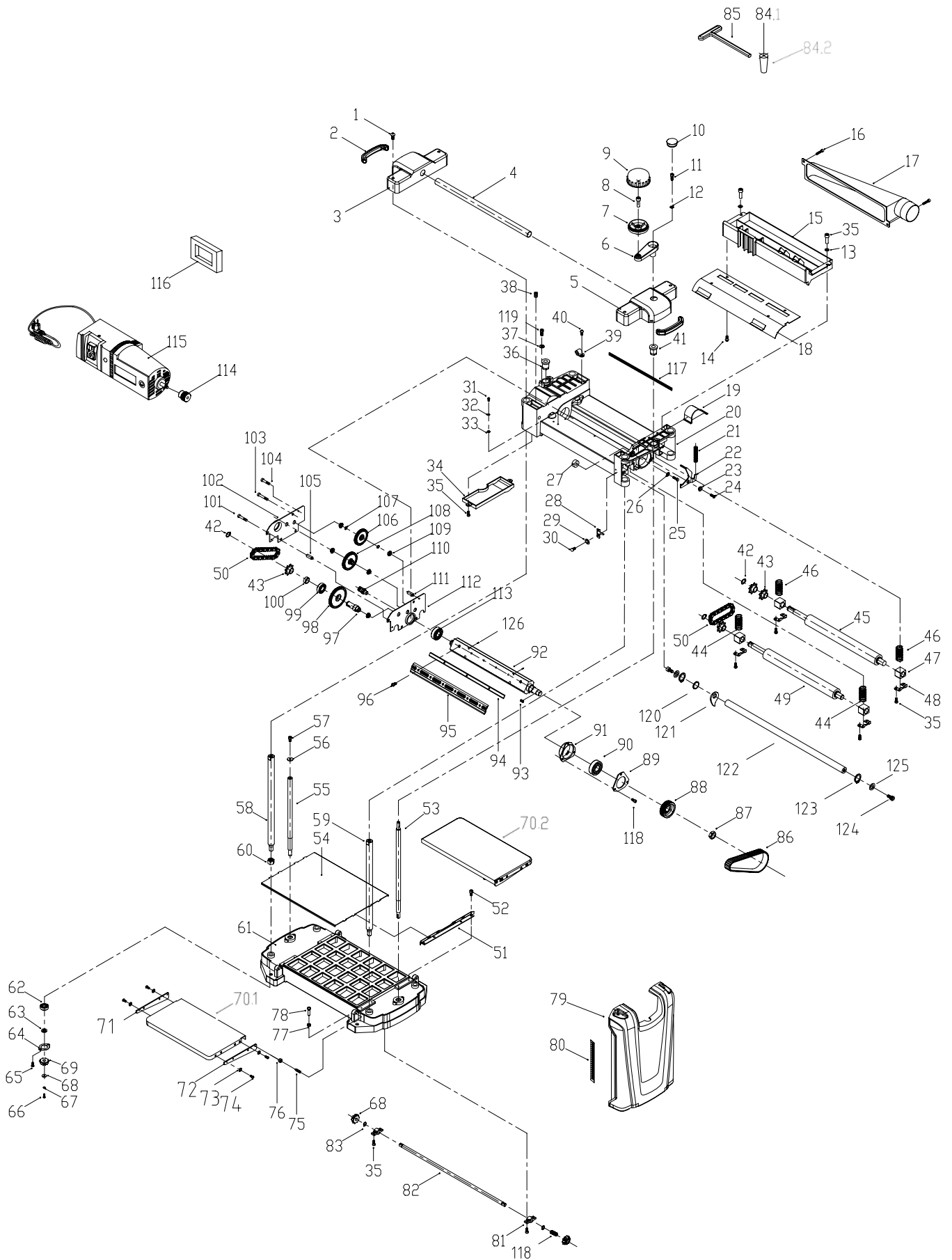


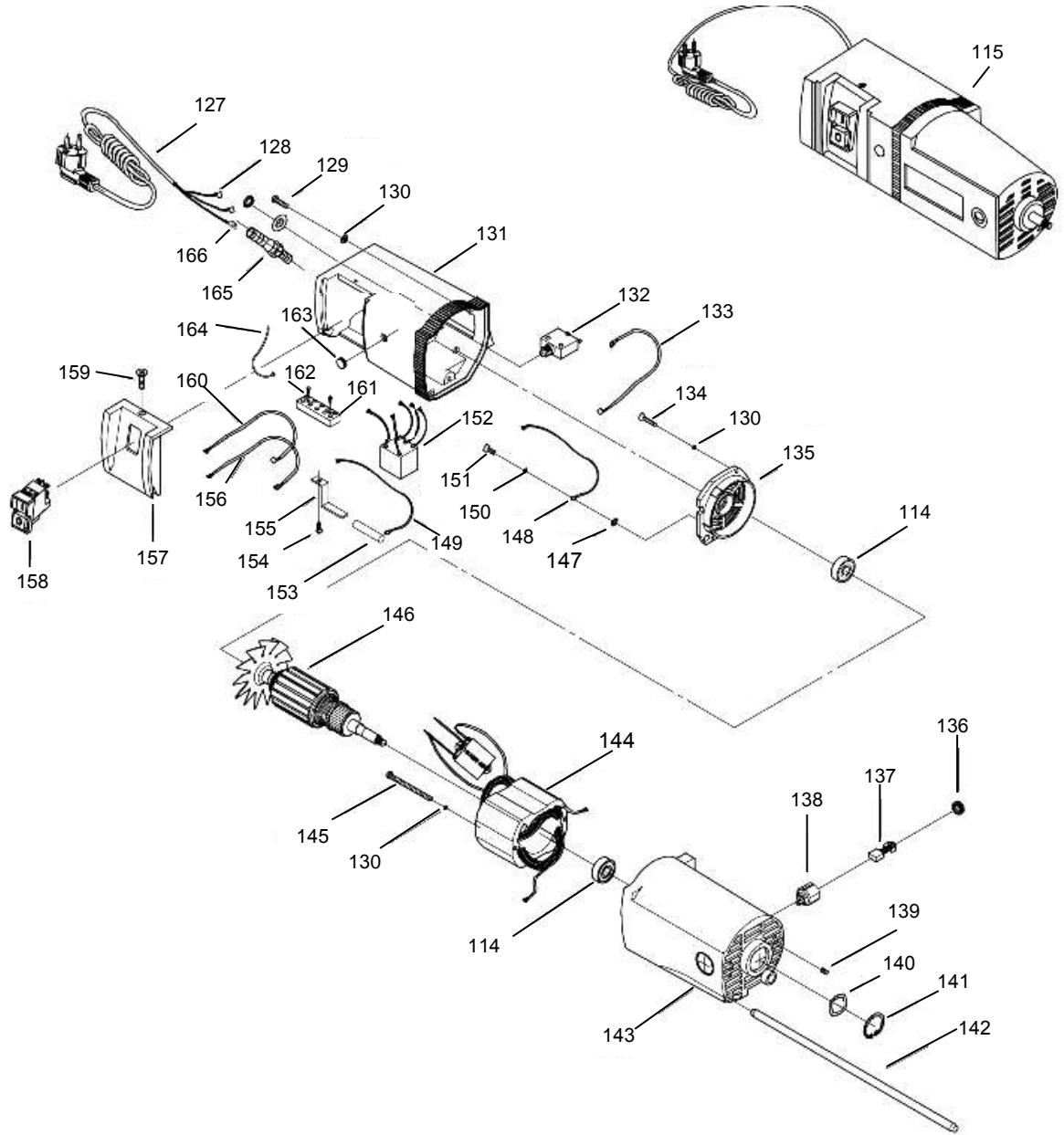


TPT125 - Triton Thicknesser





TPT125 - Triton Thicknesser Motor Assembly





TPT125 - Triton Thicknesser

No.	Description	QTY
1	Hexagon Socket Button Head Screws	4
2	Portable Sheath	2
3	Left Cap	1
4	Roller	1
5	Right Cap	1
6	Crank arm	1
7	Handle	1
8	Handle Shaft	1
9	Handle Cap	1
10	Plastic Cap	1
11	Hexagon Socket Head Cap Screws	1
12	Flat washer	1
13	Flat washer	2
14	Cross Trough Pan Head Self-drilling Screw	4
15	Dust Hood	1
16	Hexagon Socket Button Head Screws	2
17	Dust Adaptor	1
18	Dust Chute	1
19	Belt Guard	1
20	Roller Case	1
21	Spring	1
22	Cutter head Lock plate	1
23	Spacer	1
24	Hexagon Socket Countersunk Head Screws	1
25	Hex Bolt	1
26	Flat Washer	1
27	Washer	1
28	pointer	1
29	Flat washer	2
30	Cross Recessed Pan Head Screw	2
31	Cross Recessed Pan Head Screw	2
32	Spring Washer	2
33	Serrated washer	2
34	Gearbox Cover	1
35	Hexagon Socket Head Cap Screws	16
36	Elevating Nut(L.H.)	1
37	Flat washer	4
38	Socket Head Cap Screw	1
39	Cable Clamp	1
40	Cross Recessed Flat Head Screw	1
41	Elevating Nut(R.H.)	1
42	Extend Retaining Ring	3
43	Sprocket	4



TPT125 - Triton Thicknesser

No.	Description	QTY
44	Spring(infeed)	2
45	Out feed Roller	1
46	Spring(out feed)	2
47	Bearing Block	4
48	Bracket	4
49	Infeed Roller	1
50	Chain	2
51	Guide	2
52	Hexagon Socket Button Head Screws	12
53	Elevating Screw(R.H.)	1
54	Table Plate	1
55	Elevating Screw(L.H.)	1
56	Flat washer	1
57	Hexagon Socket Head Cap Screws	1
58	Column	3
59	Subsidiary Column	1
60	Hex Nut	4
61	Base	1
62	Bearing	2
63	Spacer	2
64	Bearing Retainer	2
65	Hexagon Socket Button Head Screws	2
66	Hexagon Socket Head Cap Screws	2
67	Spring Washer	2
68	Flat washer	2
69	Gear	4
70 .1	Extend table	2
70 .2	Extend table	2
71	Bracket (Left)	4
72	Bracket (Right)	4
73	Flat washer	8
74	Phillips screw	8
75	Adjust Screw	4
76	Hex nut	4
77	Hex nut	4
78	Hex Bolt	4
79	Side Cover	2
80	Scale	1
81	Bearing Block	2
82	Shaft	1
83	Extend Retaining Ring	2
84 .1	Blade magnet cover	2
84.2	Magnet	2



TPT125 - Triton Thicknesser

No.	Description	QTY
85	Hex Wrench	1
86	Belt	1
87	Hex Nut	1
88	Pulley	1
89	Bearing Cover	1
90	Bearing	1
91	Bearing Seat	1
92	Cutter head	1
93	Key	1
94	Blade	2
95	Gib	2
96	Pan Head Screw	12
97	Shaft	1
98	Gear	1
99	Bearing	1
100	Spacer	1
101	Hexagon Socket Head Cap Screws	1
102	Outside Cover	1
103	Hexagon Socket Head Cap Screws	3
104	Hexagon Socket Head Cap Screws	2
105	Spacer B	4
106	Gear	1
107	Washer	2
108	Gear	1
109	Bushing	5
110	Pinion	1
111	Spacer A	2
112	Inside Cover	1
113	Bearing	1
114	Motor Pulley	1
115	Motor	1
116	Sponge	1
117	Sponge	3.5
118	spring	1
119	Hexagon Socket Head Cap Screws	4
120	Washer	73
121	Braking Pawl	72
122	Shaft	1
123	Extend Retaining Ring	2
124	Hexagon Socket Head Cap Screws	2
125	Spring Washer	2
126	Bolt	4



TPT125 - Triton Thicknesser

No.	Description	Qty.
127	Power Cord (UK)	1
128	Terminal	2
129	Pan Head Screw	3
130	Spring Washer	3
131	Housing	1
132	Thermal Circuit Breaker	1
133	Wire Lead	1
134	Pan Head Screws	3
135	Housing (Front)	1
136	Carbon Brush Cap	1
137	Carbon Brush	1
138	Carbon Brush Seat	1
139	Hexagon Socket Set Screws	1
140	Corrugated Gasket	1
141	Retaining Ring	1
142	Set Pin	1
143	Housing (Back)	1
144	Stator	1
145	Pan Head Screws	2
146	Armature	1
147	Serrated washer	1
148	Wire Lead	1
149	Wire Lead	1
150	Spring Washer	1
151	Pan Head Screw	1
152	Filter	1
153	Insulating varnished Sleeve	1
154	Pan Head Screws	3
155	Filter module position washer	1
156	Wire Lead	1
157	Switch Frame	1
158	Switch	1
159	Countersunk Head Tapping Screw	1
160	Wire Lead	1
161	Terminal Block	1
162	Pan Head Screws	2
163	Cap	1
164	Cable Ties	1
165	Flexible Strain Relief Bushing	1
166	Earth Terminal	1