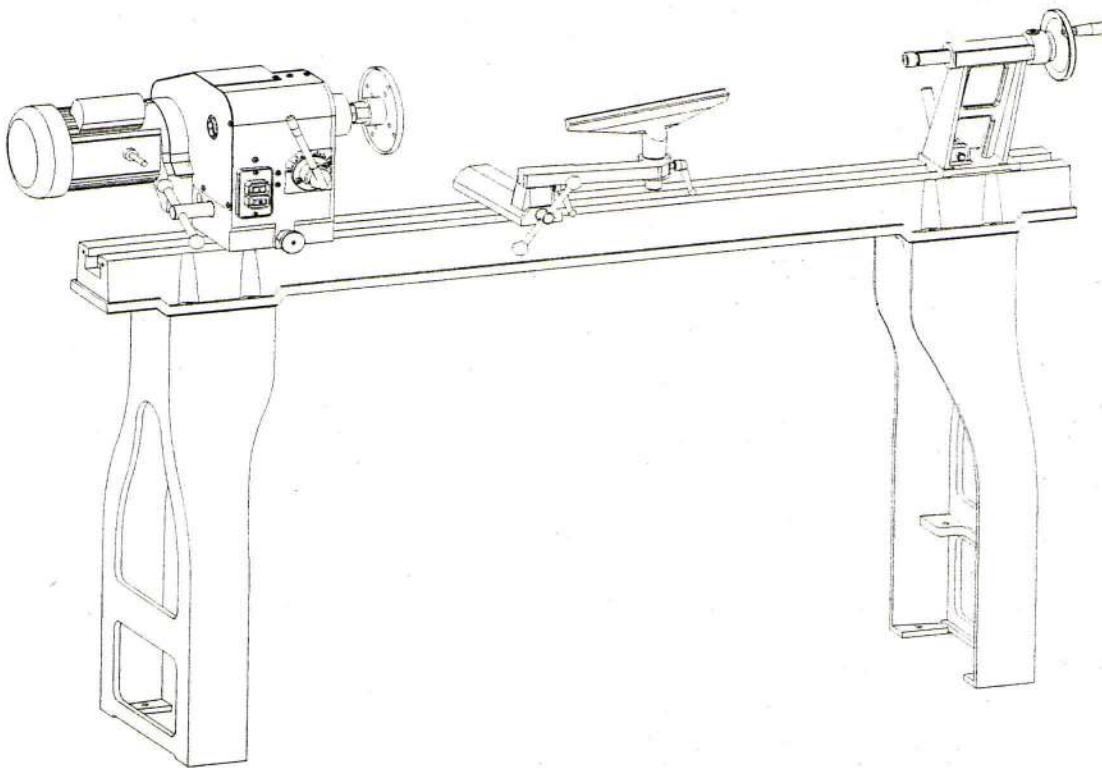


W 860

# **MODEL MC1100-B VARIABLE SPEED WOOD LATHE**



## **INSTRUCTION MANUAL**

**Please read and fully understand the instructions in this manual before operation. Keep this manual safe for future reference.**

of tool.

Ampere rating (on name plate)	3	6	10	13
Extension cord length	Wire size mm <sup>2</sup>			
7.5m	0.75	0.75	1.0	1.25
15m	0.75	0.75	1.0	1.5
22.5m	0.75	0.75	1.0	1.5
30m	0.75	0.75	1.25	1.5
45m	0.75	1.25	1.5	2.5

**WARNING !** THIS TOOL MUST BE GROUNDED WHILE IN USE TO PROTECT THE OPERATOR FROM ELECTRICAL SHOCK.

**SAVE THESE SAFETY RULES !**

## **Assembly**

### **Unpacking (Fig 1)**

1. Carefully remove the leg set and wood lathe from the carton.

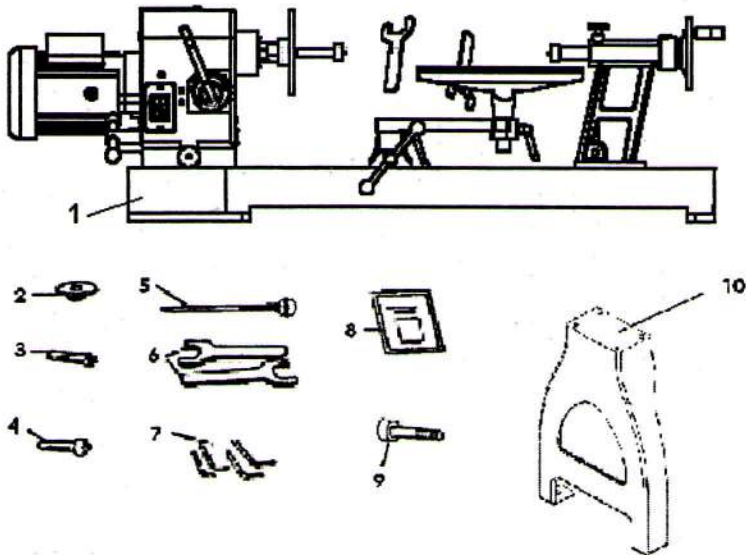
**CAUTION!** THE WOOD LATHE IS VERY HEAVY AND MUST BE LIFTED WITH THE HELP OF 2 PEOPLE OR MORE. THE ASSEMBLY PROCESS REQUIRES 2 PEOPLE OR MORE TO SAFELY ASSEMBLE THE LATHE TO THE LEG SET.

2. Separate the parts for the leg set from the parts of the lathe.

3. Lay out all parts and check them against the parts listed below. Examine all parts carefully.

**WARNING!** IF ANY PART IS MISSING OR DAMAGED, DO NOT PLUG THE WOOD LATHE IN UNTIL YOU HAVE REPLACED THE MISSING OR DAMAGED PART.

For your safety, complete the assembly of the lathe before plugging it into the power supply.



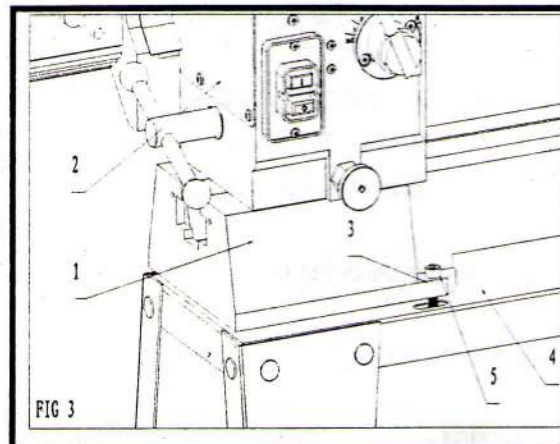
1. Lathe bed assembly
2. Face plate
3. Headstock spur center
4. Tailstock cup center
5. Push rod
6. Flat wrenches
7. Hex key
8. Instruction panel
9. Hex bolt
10. Front leg & rear leg

FIG.1

## **Assembly**

### **Setting the lathe on the leg set (Fig 3)**

1. Place the lathe bed assembly [1] on the leg set.
2. Position the headstock [2] assembly over the top plate and align the holes in the bed [3] with the holes in the top plate [4]. Set the headstock down carefully.
3. Align the tailstock assembly end of the lathe over the top plate mounting holes and set it down carefully.
4. Insert the hex bolts [5] into the mounting holes in each bed and tighten securely.



**IMPORTANT!** THE LEG SET MUST BE FASTENED TO THE SUPPORTING SURFACE.

### **Faceplate (Fig 4)**

1. Remove the headstock spur from the spindle.
2. Thread the 6 inch diameter faceplate to the Spindle.
3. Mount the workpiece to the faceplate with the flat head brass wood screws. Make sure the length of the screws does not interfere with the cutting tools.

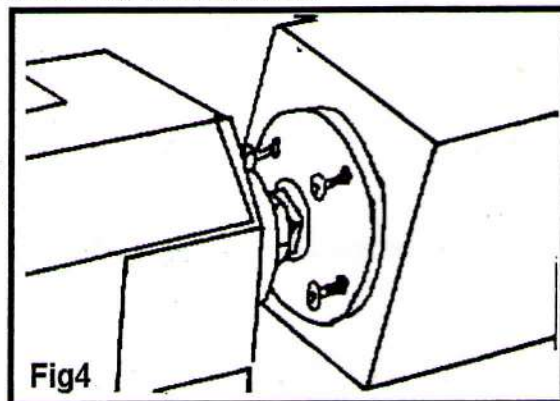
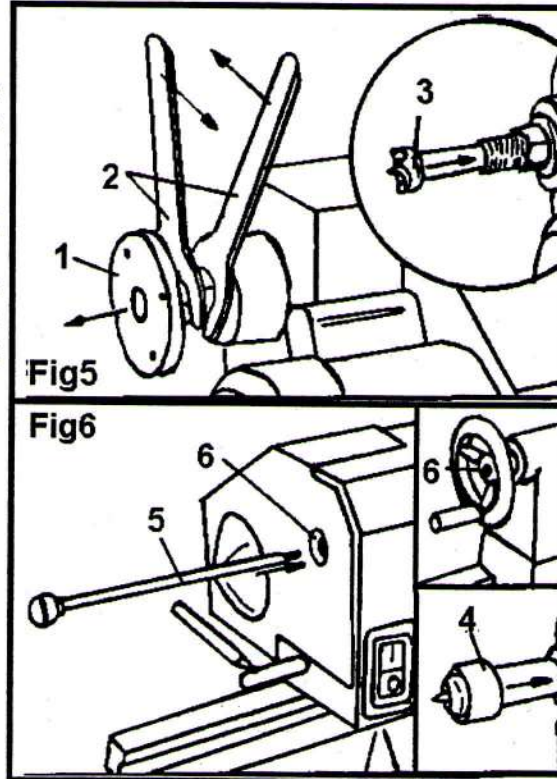


Fig4

## Spurs

1. Remove the faceplate [1] from the headstock spindle using the two wrenches provided [2] to separate the faceplate from the spindle nut. (Fig5)
2. Insert the headstock spur [3] in the spindle hole.
3. Insert the live center [4] in the tailstock hole. (Fig 6)
4. To remove either the headstock spur or the tailstock center insert the push-out rod [5] into the hole [6] at the opposite end of the headstock or tailstock. Remove and store the rod in a safe location after use.

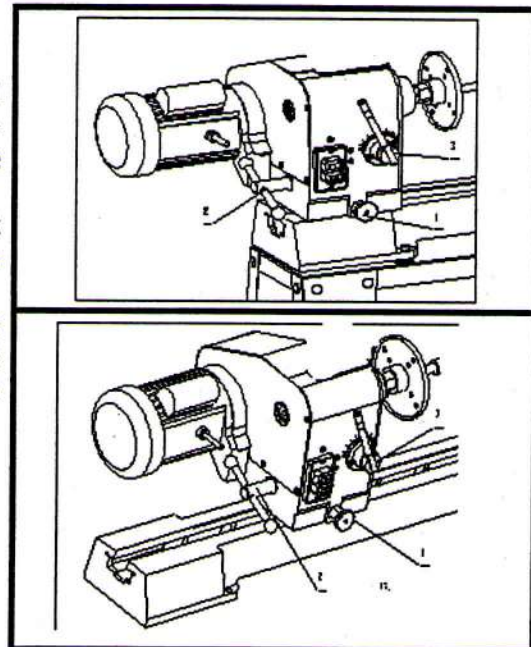


**WARNING!** Do not operate your wood lathe until it is completely assembled and adjusted according to the instructions.

## Adjustments

### Headstock (Fig 7)

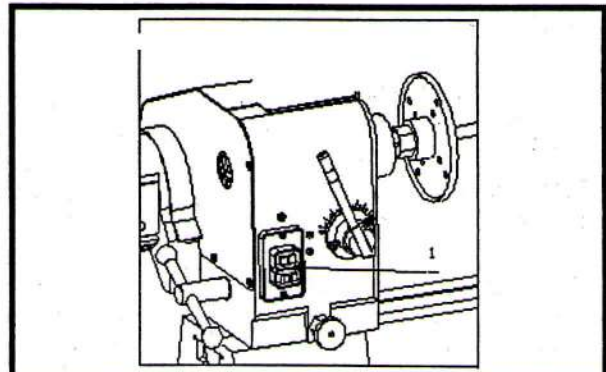
1. The headstock has 5 preset positions,  $0^{\circ}$  setting for all spindle turning applications,  $60^{\circ}/90^{\circ}/120^{\circ}$  for use when making face plate turnings,  $180^{\circ}$  for use for face plate turnings when using the extension bed and tool rest.
2. To set the headstock at the desired position, you must first turn the head lock handle [2] until you have completed at least one rotation. (Fig 8)
3. Pull out the headstock release [1], rotate the entire headstock clockwise to the desired position. The headstock will be fixed in position when it clocks into one of the five pre-set settings. Tighten the lock handle [2].



## Operation

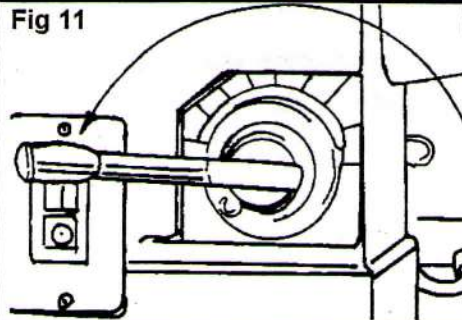
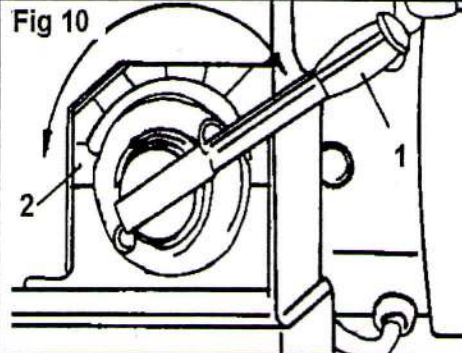
### **Switch (Fig 9)**

The lathe is fitted with a no-volt switch. In the event of a power supply failure the wood lathe needs to be manually re-started by pushing the "I" button on the switch.



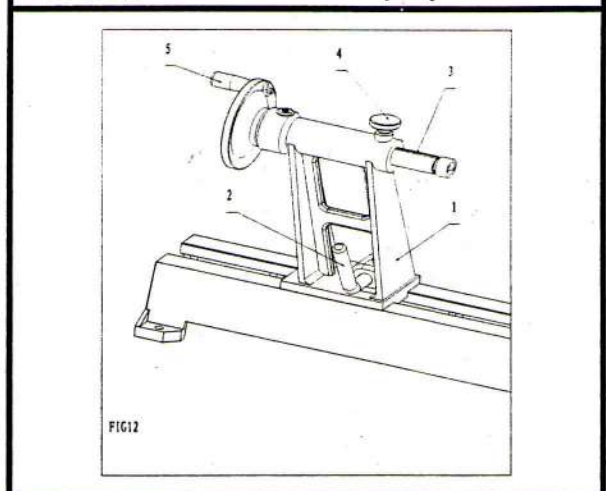
### **Speed control (Fig 10)**

1. The lathe motor must be running before you can use the speed control lever.
2. The speed control lever can be turned to one of ten fixed speeds. To set the speed, pull back on the lever handle [1] and rotate the handle to the next fixed speed. Use the index plate [2] to choose right lathe speed.
3. Turn the lever clockwise to increase the speed and turn counterclockwise to decrease the speed.
4. You must move the speed control lever to the lowest speed setting before turning the switch off (Fig 11), otherwise the motor may not start or be damaged.



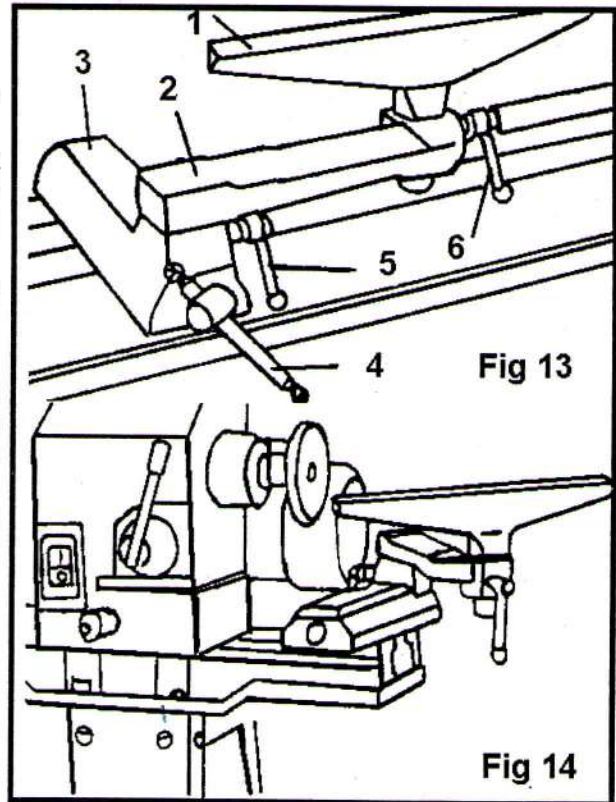
### **Tailstock (Fig 12)**

1. Move the tailstock [1] by loosening the lock lever [2] and pushing the tailstock to the desired position on the bed. Lock by tightening the lock lever [2].
2. The spindle can extend up to 57mm from the tailstock housing. You can move the tailstock spindle [3] by loosening the spindle lock lever [4] and then turning the hand wheel [5]. Lock the levers [4] and [2] before operating lathe.
3. The tailstock spindle is hollow and can be accessed from the hand wheel end. Use the push-out rod to remove the center cup or to drill holes through the center of a workpiece.



### **Tool rest (Fig 13)**

1. The tool rest [1] can be used with or without the arm [2].
2. To move the tool rest base [3], loosen the lock lever [4], and move the base to the right or left and back or front. Tighten the lever [4] when the tool rest base is in the desired position.
3. When using the arm [2], make the necessary adjustments using lock levers [5] and [6] to position the tool rest.
4. Tighten all tool rest lever and handles [4-5-6] and ensure there is adequate clearance between the workpiece and the tool rest assembly before turning the lathe on.
5. The tool rest can also be repositioned to the extension bed for use on outboard turnings. (Fig 14)



**IMPORTANT !** MAKE SURE THE TOOL REST IS ADJUSTED TO BE AS CLOSE TO THE WORKPIECE AS POSSIBLE. ROTATE THE WORKPIECE BY HAND TO CHECK CLEARANCE BEFORE TURNING THE LATHE ON.

## **Maintenance**

**WARNING!** FOR YOUR OWN SAFETY, PUSH THE BUTTON "O" ON THE SWITCH AND REMOVE THE PLUG FROM THE ELECTRICAL OUTLET BEFORE PERFORMING MAINTENANCE OR LUBRICATION WORK ON THE LATHE.

1. Blow out dust accumulated inside the motor, housing, and bed assembly frequently.
2. A coat of automotive wax applied to the bed will help keep the surface clean and keep the smooth movement of the tool rest and tailstock.
3. Periodic lubrication of the spring levers and other threaded parts will make these parts easier to operate.



# PARTS VIEW

