



Woodworking machinery at its best!

10" TABLE SAW OPERATORS MANUAL

MODEL: W629



**Charnwood, Cedar Court, Walker Road,
Hilltop Industrial Estate, Bardon Hill, Leicestershire, LE67 1TU**

**Tel. 01530 516 926 Fax. 01530 516 929
email: sales@charnwood.net website: www.charnwood.net**

GENERAL SAFETY RULES



WARNING: Do not attempt to operate the machine until you have read thoroughly and understood completely all instructions, rules, etc. contained in this manual. Failure to comply may result in accidents involving fire, electric shock, or serious personal injury. Keep this owner's manual and review frequently for continuous safe operation. Know your machine. For your own safety, read the owner's manual carefully. Learn its application and limitations, as well as specific potential hazards pertinent to this machine.

1. Make sure all tools are properly earthed.
2. Keep guards in place and in working order. If a guard must be removed for maintenance or cleaning, make sure it is properly replaced before using the machine again.
3. Remove adjusting keys and spanners. Form a habit of checking to see that the keys and adjusting spanners are removed from the machine before switched it on.
4. Keep your work area clean. Cluttered areas and workbenches increase the chance of an accident.'
5. Do not use in dangerous environments. Do not use power tools in damp or wet locations, or expose them to rain. Keep work areas well illuminated.
6. Keep children away. All visitors should be kept a safe distance from the work area.
7. Make workshop childproof. Use padlocks, master switches and remove starter keys.
8. Do not force the machine. It will do the job better and be safer at the rate for which it is designed.
9. Use the right tools. Do not force the machine or attachments to do a job for which they are not designed. Contact the manufacturer or distributor if there is any question about the machine's suitability for a particular task.
10. Wear proper apparel. Avoid loose clothing, gloves, ties, rings, bracelets, and jewellery which could get caught in moving parts. Non-slip footwear is recommended. Wear protective hair covering to contain long hair.
11. Always use safety glasses. Normal spectacles only have impact resistant lenses. They are not safety glasses.
12. Do not over-reach. Keep proper footing and balance at all times.
13. Maintain the machine in good condition. Keep the machine clean for best and safest performance. Follow instructions for lubrication and changing accessories.

14. Disconnect the machine from power source before servicing and when changing the blade.
15. Never leave the machine running unattended. Turn the power off. Do not leave the machine until it comes to a complete stop.
16. Do not use any power tools while under the effects of drugs, alcohol or medication.
17. Always wear a face or dust mask if operation creates a lot of dust and/or chips. Always operate the tool in a well ventilated area and provide for proper dust removal. Use a suitable dust extractor.

ADDITIONAL RULES FOR CIRCULAR SAWS

1. Ensure that the saw table is clear of off-cuts, tools or anything else that might foul the work-piece.
2. If your saw has a dust extractor hose connected to the crown guard, ensure that it is held clear of the table and will not foul the work-piece as it passes over the table.
3. When cutting large sheets of material or long boards use one or more roller stand(s) to support the work or have a competent helper to support it as it feeds off the rear of the table.
4. Never use the saw without the riving knife and check that it is in line with the blade before using the saw.
5. Always use a brush to clear the table of dust or debris. NEVER use your hands, especially when the machine is running.
6. ALWAYS USE A PUSH STICK WHEN IT IS NECESSARY TO PUSH ANY PIECE OF MATERIAL OF SUCH SIZE THAT IT WOULD BRING YOUR HANDS WITHIN 30 CM OF THE BLADE.
7. Do not cut material that is badly warped or which has screws or nails in it
8. Be extra vigilant when cutting stock which has loose knots in, as these may fly out of the saw.
9. NEVER remove the table insert when the saw is running.
10. To avoid exposure to hazardous dust, do not use this saw without connecting it to a suitable dust extractor.
11. Always work with a sharp saw blade and feed the work at a rate which suits the thickness and hardness of the material.

Note: This table saw has been designed and built solely as a woodworking machine. Do not modify it in any way or use for anything other than its designated purpose. Neither the manufactures nor the supplies are liable for any damage or injury caused by incorrect assembly, operation or electrical connection of this machine.

Important:



Risk of Injury!
Never reach into
the running saw blade.



Wear Eye
Protection



Wear Ear
Protection

Specification

Table size	635 x420mm
Table size with extensions	635 x 1000mm
Motor (Induction)	2200W, 240v, 3hp
Blade diameter x bore	250mm x 30mm
Blade rotation speed (no load)	4000 rpm
Maximum depth of cut at 90/45 degrees	70mm /45mm
Cutting width with table extension	720mm
Dust extractor hose connection	100mm
Weight	110kg
Rating	Light Trade

Rating Description

Light Trade: Suitable for professional woodworkers where the machine will not be in daily use.

Mid range machines with a heavier build and more power. Typically used by 2 or 3 people within a small business and also for the dedicated hobbyist with a larger budget. It is expected to be used up to the machines maximum limit with occasional long work periods. Suitable for income generation. Expected maximum use of 300 hours annually.

Unpacking

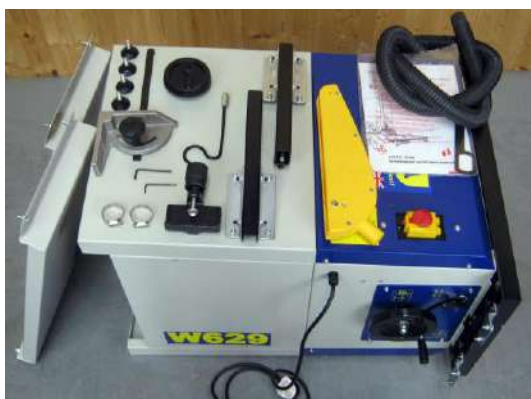
This product is packed into 2 parts; 1 wooden crate and 1 long cardboard carton.



Cut the straps and remove the lid of the crate from the base.

Remove the plastic cover and the items packed loosely around the base.

Remove two bolts holding the machine to the pallet.



Lay the saw onto its side to remove further items which are packed inside the floor stand of the machine.

The second package, the long carton, contains 5 aluminium extrusions.

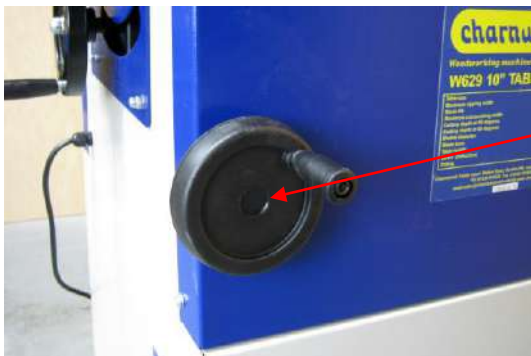
Assembly



While the machine is on its side, take the four feet from the bag of parts and screw them into the four holes in the base. These feet can be adjusted by means of a spanner to level the saw table after the machine has been put into place.

Return the saw to a vertical position.

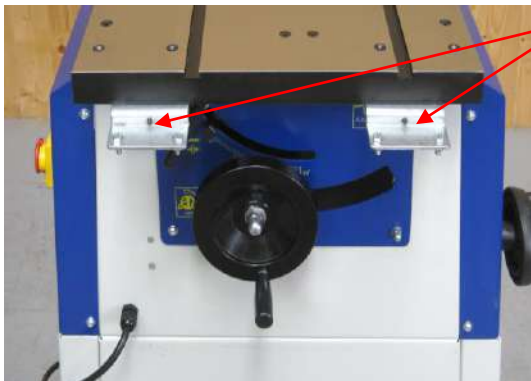
The cast iron table is coated with a layer of grease to prevent rust. This is easily removed with a soft cloth moistened with paraffin or WD40.



Raise the saw blade by turning the fitted hand wheel at the front of the machine clockwise.

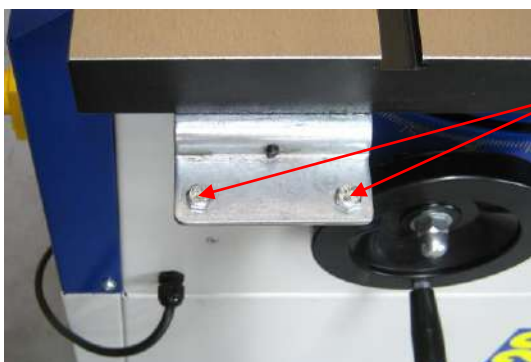
Fit the other hand wheel from the bag of components to the spindle on the right hand side of the saw. Tighten the grub screw so that it engages with the flat on the spindle.

Turn the wheel clockwise until the blade is vertical, if it is not already in this position.



There are two brackets at the front of the saw table and a similar pair at the back.

Each one has two hex headed bolts and nuts passing through it and a small black adjuster at the back.



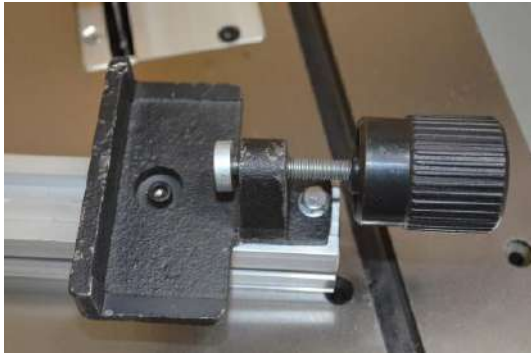
Loosen the nuts and, lifting each bolt head in turn, slide one of the 100cm long square aluminium extrusions over them.



The extrusion with the measuring scale (Rip Fence Guide Rail) should be fitted to the front of the table, scale uppermost and in both cases the open side should face outwards.

If they are difficult to slide on, make sure that you have slackened the nuts sufficiently and rock the extrusions gently as you move them along.

You may need to reach round to the back of the brackets and unscrew the black adjusters a little, if they are binding on the aluminium.



Join the two parts of the rip fence using one cap head setscrew and one hex head bolt.

Place the rip fence over the front guide rail, so the lip of the fence bracket sits behind the rail.



Position the rip fence parallel to and up against the saw blade.

Whilst holding it in that position, adjust the guide rail to align the 0cm on the measuring scale with the left hand edge of the black part of the fence bracket.

Having done this you can tighten up the 4 nuts on the brackets underneath, locking the guide rail in place.

The small black adjusting screws are used to align the guide rail so that the rip fence is parallel with the blade no matter where it is along the length of the rail.



Now take the first of the extension tables, loosen the nuts and bolts and slide it onto the guide rails.

Follow it with the second one and tighten all the locking nuts and bolts. If the tables do not slide into place easily, check that the front and back guide rails are really parallel and adjust the rear one if necessary.

Do not move the front rail or you will upset the alignment of the rip fence.



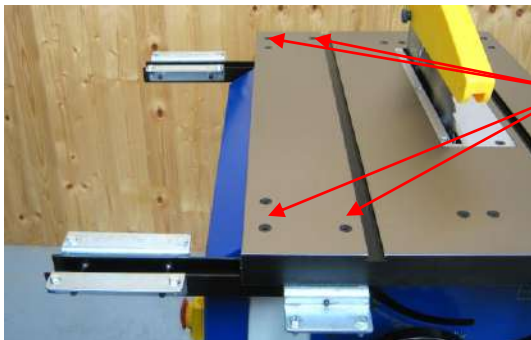
Slide the hose support clip onto the rear guide rail and lock it into place.

Fit the dust collection hose to the saw guard and the spigot on the rear extraction point. Secure in place with the two hose clamps provided.

Clip the hose into the support arm to hold it clear of the table.

It is strongly recommended you use a dust extractor at all times, by connecting a hose to the 100mm outlet.

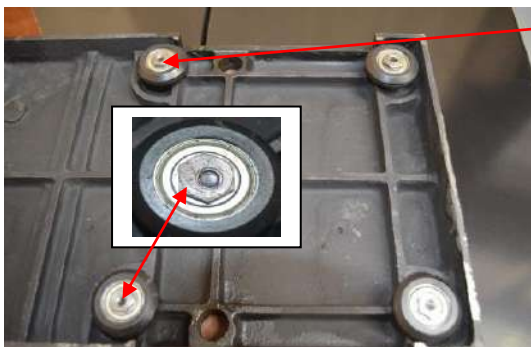
Failure to use an extractor will require stopping the machine regularly to clean out of the internal parts of the extraction hood, to avoid causing damage.



Fit the two support arms which will carry the guide rail for the sliding carriage.

These are bolted to the left hand side of the table with four countersunk bolts. Fit the wide guide rail extrusion by sliding it over the heads of the eight securing bolts.

Position the sliding carriage guide rail so that the back edge of the rail is level with the back side of the rear guide rail. Ensure the guide rail is parallel to the saw blade before tightening the eight nuts. You may need to reposition the rail when making mitre cuts.



Before fitting the sliding carriage it should be noted that the two outboard bearing wheels are mounted on eccentrics.

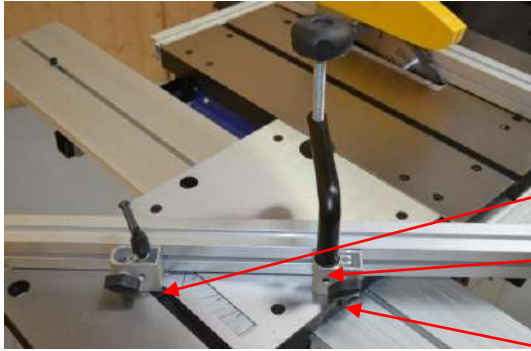
Should it ever be necessary their position can be adjusted with the aid of a 14 mm spanner.



The guide rail is fitted with front and rear travel stops.

Move the rear travel stop to the back of the slot.

Remove the front stop completely and fit the sliding carriage onto the guide rail so that the four bearing guides are located in the matching grooves along the sides of the rail. Replace the front stop.



Identify the crosscut fence. Place it with the open side, face down and the plastic tip to the right. Slide the pivot block and the locking block onto the back side of the fence with the head of the bolt in the T-slot.

The Locking block has a T-shaped foot plate, slide it into the slot in the sliding carriage table.

The Work clamp passes through the pivot block and locates in the large hole at the front of the carriage.

The work clamp should be locked in place using a small grub screw in the front edge of the carriage.



Fit the flip-over length stop by feeding the head of the bolt into the T-shaped slot on the top side of the fence.

The ratchet handle locks the stop in place.

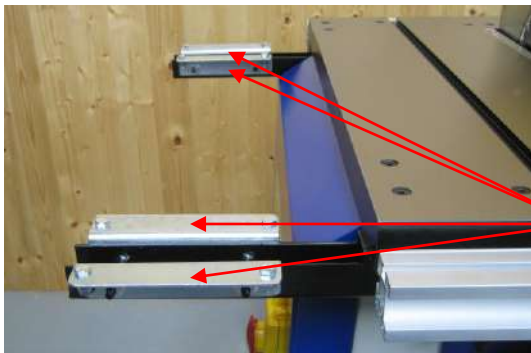
The stop plate can be flipped over to engage or disengage it.



From underneath the carriage, push up the locating stop.

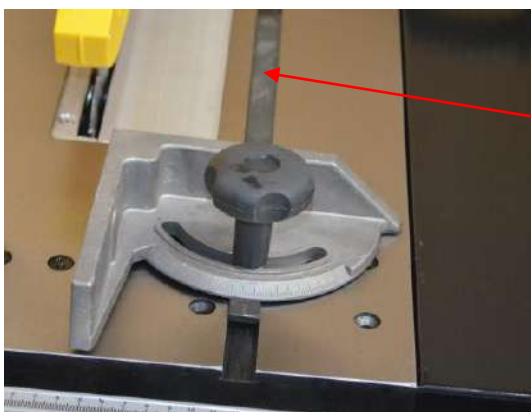
Use a square to check the crosscut fence is set at 90 degrees to the blade.

If necessary, adjust the stop by loosening the locking ring and grub screw. Put a screwdriver into the slot to rotate the stop to set the angle.



Check the Sliding carriage is level to the main table. It should also be slightly higher (up to 1mm) than the main table to allow a clamped work piece to move across the main table.

If necessary, loosen and adjust the four silver support brackets to lift or level the sliding carriage.

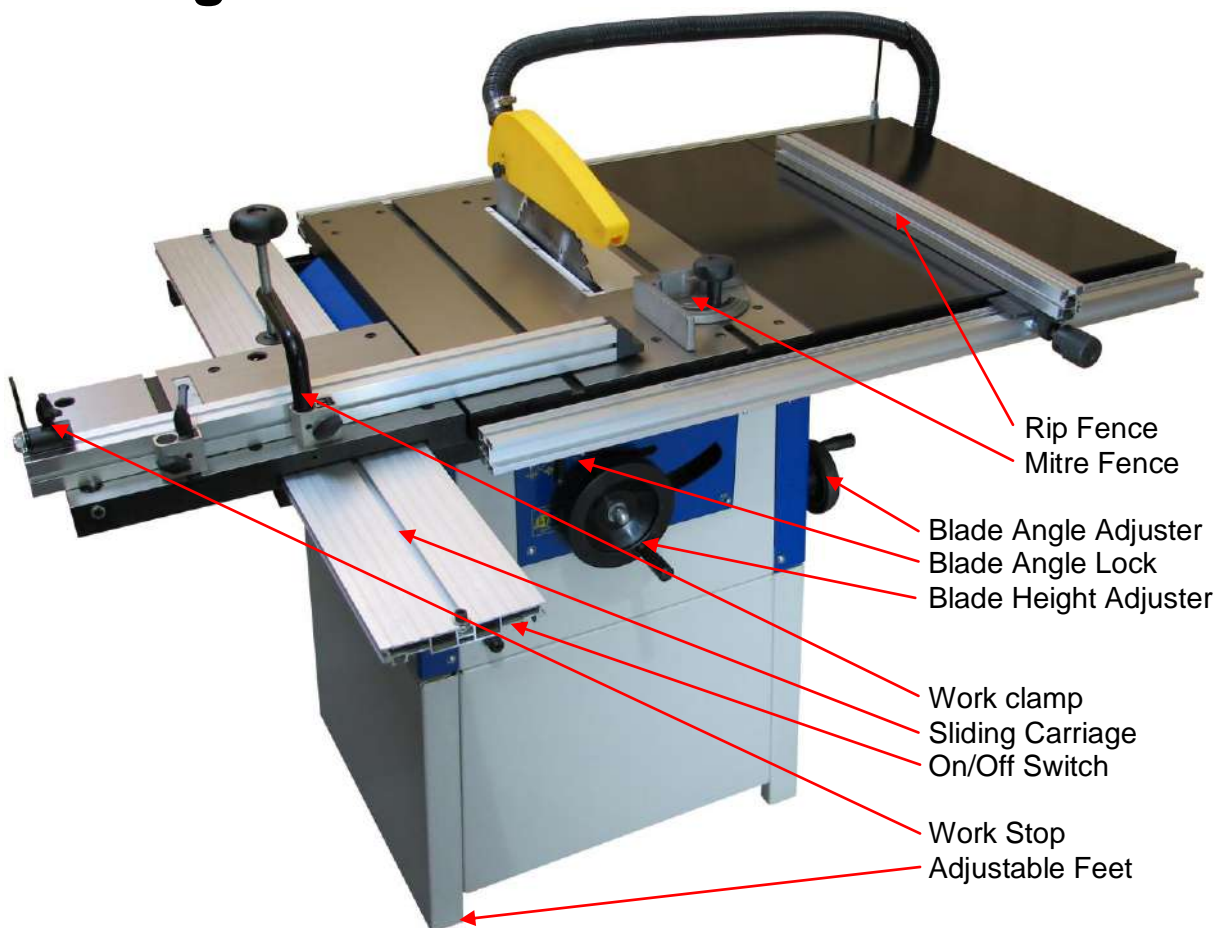


The sliding mitre fence can be used on either side of the blade.

Slide the T-shape bar into the slot in the main table.

The large knob is used to unlock the angle, which can be read from the scale on the front.

Using the Table Saw



On/Off Switch

Slide the red section upwards and then lift the hinged cover. This will give you access to the green start and red stop buttons. Pressing the red section of the cover will stop the saw.

To turn the saw on, press the green button. Wait for the blade to reach its maximum speed of rotation before commencing with the cut.

The machine is fitted with an NVR (No Voltage Release) switch. This type of switch is designed so that if the machine is disconnected from the mains whilst running and then reconnected, the motor will not automatically restart.

Blade Height

Adjustments to the blade height should be made only when the saw is not running. Turn the round hand wheel on the front, to set the blade to the required depth. Turn anticlockwise to lower the blade, turn clockwise to raise the blade. The blade height should always be set so that only the carbide tips of the blade (approx. 5mm) projects above the wood.

Blade Angle

Adjustments to the angle of cut should be made only when the saw is not running. To tilt the blade for making bevel cuts, undo the blade angle lock, rotate the hand wheel to the required angle using the scale provided for guidance. Lock the angle by pressing down the locking lever.



Making a cut

Ensure there is enough space around the table for the work piece before starting the cut. Position your feet in a stable and balanced stance.

When feeding the timber, place your hands on the section of timber being kept. Never hold the waste part of the timber.

Never force timber through the saw, always let it cut at its own speed.

When cutting narrow pieces - use a push stick.

Ripping Cut



The rip fence is used to make longitudinal (with the grain) cuts. Set the fence to the required dimension using the scale provided.

To avoid kickback, the far end of the fence extrusion should be set correctly.

When cutting narrow pieces, the fence extrusion should be set so that the end is level with the centre of the saw blade. This allows the timber space to expand into, after the cut has been made.

When cutting wider pieces the fence extrusion can be moved further towards the back of the blade, in a line projecting at roughly at 45 degrees out from the centre of the blade.

Cross Cutting

This saw has 2 options for making cross cuts: Using the sliding mitre fence or using the sliding carriage.



Sliding Mitre Fence

The sliding mitre fence is most suitable for cutting small pieces. It fits into either of the T-shaped channels in the table. To set 90 degrees or any other angle, undo the locking knob and rotate the quadrant to the desired angle. The work piece can be held against either face of the fence.

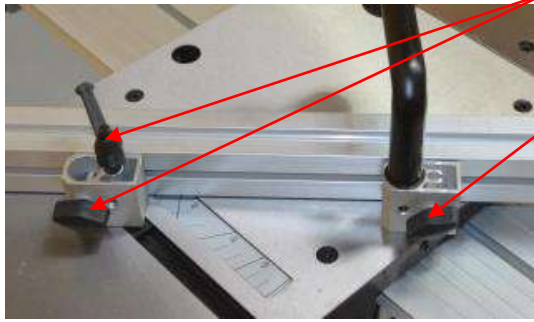


Sliding Carriage

The sliding carriage is more suitable when working with large flat panels.

To use the sliding carriage pull the table all the way forward.

Set the flip over stop to the desired width of cut.



If an angle is to be cut, undo the thumb screw and ratchet lever, swing the fence to the desired angle and lock them both off.

If necessary, undo both thumb screws and adjust the fence so that the plastic tip is just clear of the blade.

Load the wood onto the carriage and screw down the work clamp to secure it. Press the start button and push the wood through the saw blade.

An alternative configuration is available for the sliding carriage. The fence can be assembled onto the back edge of the table in a mirror image of the standard configuration. The work piece is loaded against the back edge of the fence and then fed onto the blade. Using this configuration, the crosscut capacity can be increased and the sliding carriage guide rail can be moved backwards so that it does not obstruct the operator.

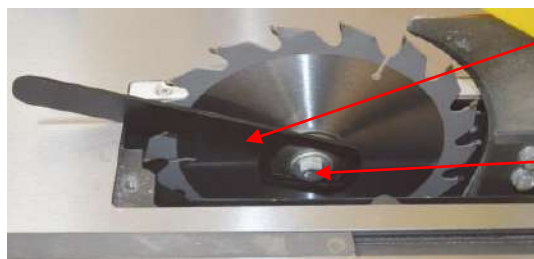
Blade Removal and Replacement



Unplug the saw from the power source.

Raise the blade to its maximum height and remove the saw guard from the riving knife.

Remove the right hand table insert, using a 4mm Hex key to remove the two screws.



Use the special spanner supplied, lock the spindle by fitting it over the black locking washer.

Then use a 13mm spanner to undo the blade locking bolt.

Remove the bolt, flat washer and locking washer. The blade can now be removed from the shaft.

Reverse this procedure to fit the new blade.

Troubleshooting

Problem	Cause	Remedy
Machine does not start	Blown Fuse	Replace Fuse
	Loose switch terminal	Inspect back of switch
	Faulty switch	Replace switch
Only starts when Green button is held down	Faulty switch	Replace switch
Machine does not run but buzzing noise heard from motor	Failed capacitor	Replace the motor start capacitor.
Saw vibrates	Damaged teeth on saw blade	Check & replace the blade
	Floor stand is loose	Check all nuts and bolts for tightness
Cuts are slow, wood is blackened	Saw blade is blunt or damaged	Examine the blade. If any Tungsten tips are missing or broken the blade should be replaced. If the tips are blunt, the saw blade may to be professionally sharpened.
Saw stalls	Feed rate too high	Slow down
Wood binds on rear of saw blade	Rip fence is not parallel to blade	Bring the fence up to the blade and re-align the fence so it is parallel, by adjusting the 2 small set screws located on the guide rail brackets. (see assembly instructions for more details)
Lower saw guard fills with dust	No extraction fitted or extraction not working efficiently	It is essential to use a vacuum extractor or chip collector with this machine. If one is being used, check for blockages in the hose
Blade tilt or blade height difficult to adjust	Adjusting rod obstructed by dust build up	clean and lubricate the mechanism


Declaration of Conformity for CE Marking

Charnwood Declare that Circular Saw Bench, Model W629

Conforms with the following Directives: Machinery Directive 2006/42/EC
Low Voltage Directive 2006/95/EC

And further conforms to the machinery example for which the EC type examination Certificate No. BM 50259867 and AN 50259868 have been issued by TUV Rheinland LGA Products GmbH, Tillystrasse 2, 90431 Nurnberg, Germany.

I hereby declare that equipment named above has been tested and found to comply with the relevant sections of the above referenced specifications. The machinery complies with all essential requirements of the directive.

Signed:  Dated: 20/08/2013 Location: Leicestershire

Richard Cook, Director



Please dispose of packaging for the product in a responsible manner. It is suitable for recycling. Help to protect the environment, take the packaging to the local amenity tip and place into the appropriate recycling bin.



Only for EU countries

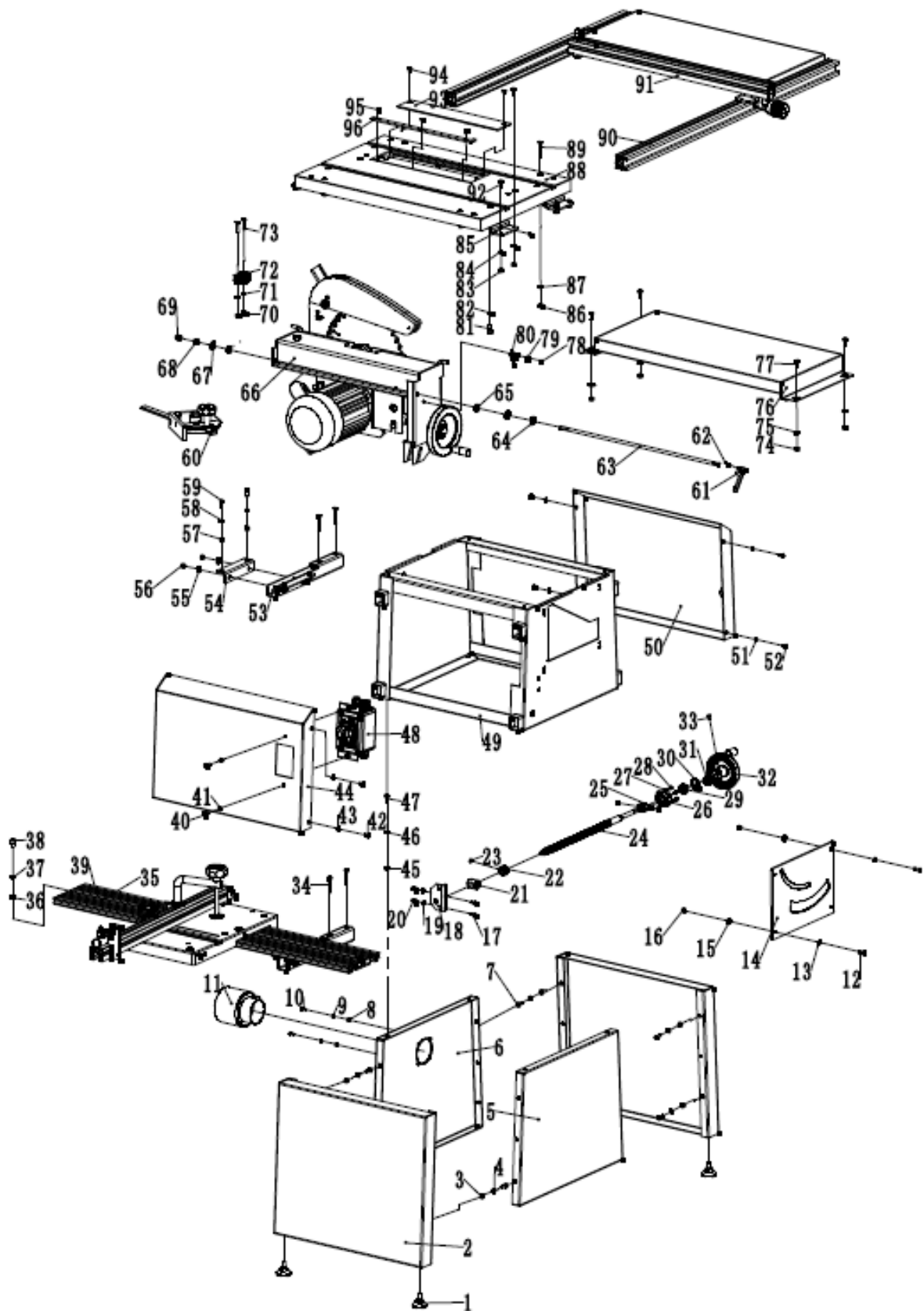
Do not dispose of electric tools together with household waste material!

In observance of European Directive 2002/96/EC on waste electrical and electronic equipment (WEEE) and its implementation in accordance with national law, electric tools that have reached the end of their life must be collected separately and returned to an environmentally compatible recycling facility.



Your local refuse amenity will have a separate collection area for WEEE goods

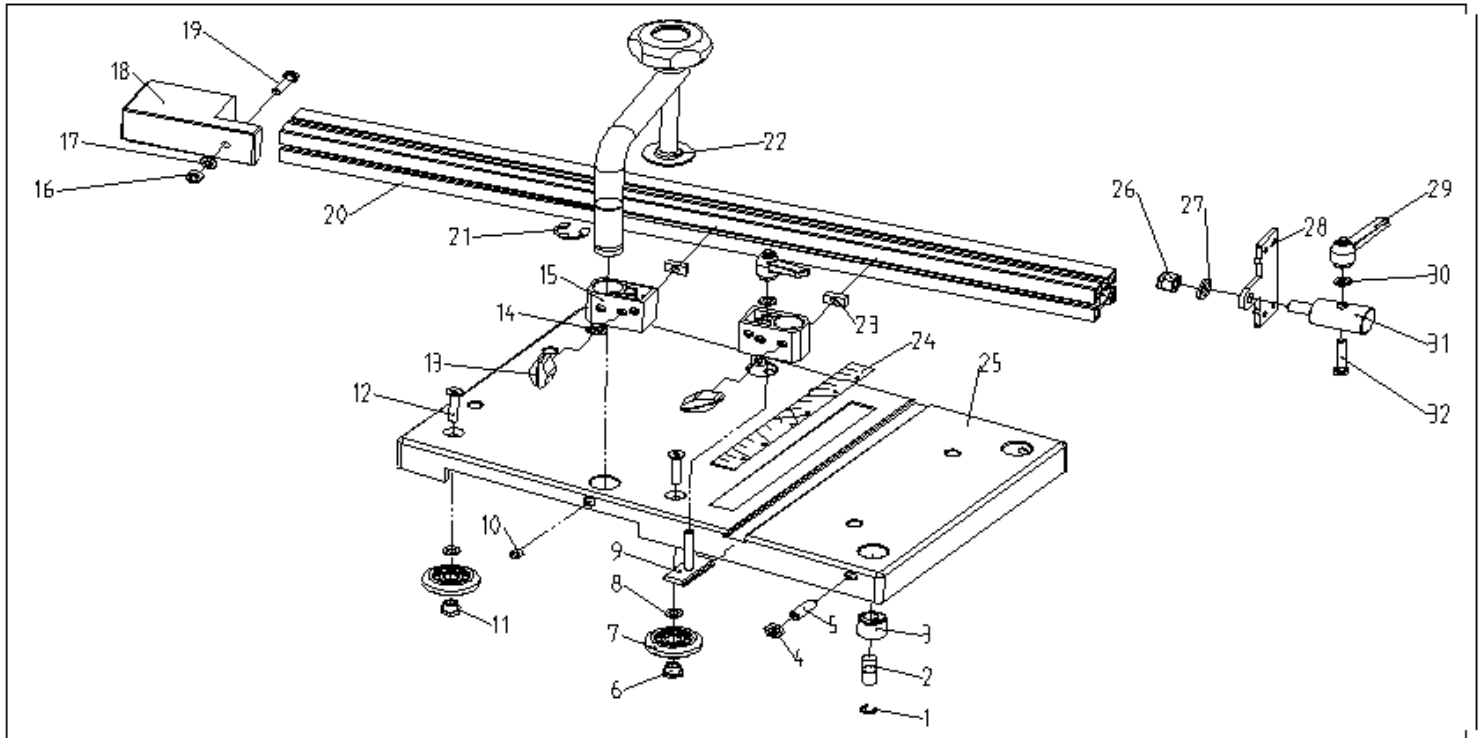
CHARNWOOD W629 PARTS DIAGRAM A



CHARNWOOD W629 PARTS LIST A

A01	Foot	A02	Left / Right Base Panel
A03	Hex Nut M6	A04	Washer M6
A05	Base Panel Front	A06	Base Panel Rear
A07	Hex Bolt M6 x 16mm	A08	Hex Nut M5
A09	Washer M5	A10	Screw M5 x 12mm
A11	Dust Outlet 100mm diameter	A12	Screw M6 x 16mm
A13	Washer M6	A14	Saw Faceplate
A15	Large Washer M6	A16	Hex nut M6
A17	Screw M5 x 14mm	A18	Threaded Shaft Support
A19	Washer M5	A20	Hex Locking Nut M5
A21	Threaded Nut	A22	Limiting Bush
A23	Set Screw M8 x 6mm	A24	Threaded Shaft
A25	Set Screw M5 x 8mm	A26	Bearing Rack
A27	Washer M5	A28	Hex Bolt M5 x 12mm
A29	Bearing 6000	A30	Circlip M26
A31	Circlip M10	A32	Hand Wheel
A33	Set Screw M6 x 12mm	A34	Screw M6 x 45mm
A35	Sliding Table (See Diagram B)	A36	Hex Nut M8
A37	Washer M8	A38	Screw M8 x 10mm
A39	Guide Rail	A40	Screw M6 x 16mm
A41	Washer M6	A42	Screw M6 x 10mm
A43	Washer M6	A44	Left Side Panel
A45	Hex Nut M6	A46	Washer M6
A47	Hex Bolt M6 x 16mm	A48	Switch Assembly (DKLD DZ-6-2/5T)
A49	Box Assembly	A50	Right Side Panel
A51	Washer M6	A52	Screw M6 x 10mm
A53	Guide Rail Support Arm	A54	Support Bracket
A55	Large Washer M6	A56	Hex Nut M6
A57	Hex Nut M6	A58	Washer M6
A59	Hex Bolt M6 x 16mm	A60	Mitre Guide (See Diagram E)
A61	Locking Handle	A62	Pin 3 x 12
A63	Locking Shaft	A64	Large Washer M8
A65	Spacer Bush	A66	Saw Assembly (See Diagram C)
A67	Large Washer M8	A68	Hex Locking Nut M8
A69	Hex Nut M8	A70	Hex Nut M6
A71	Washer M6	A72	Supporting Rear
A73	Screw M6 x 30mm	A74	Hex Nut M6
A75	Large Washer M6	A76	Extension Table
A77	Hex Bolt M6 x 16mm	A78	Screw M4 x 6mm
A79	Tooth Washer M4	A80	Blade Angle Pointer
A81	Screw M6 x 16mm	A82	Washer M6
A83	Hex Nut M6	A84	Washer M6
A85	Rail Support Plate	A86	Hex Locking Nut M6
A87	Washer M6	A88	Main Table
A89	Screw M6 x 45mm	A90	Extension Table Support Rail
A91	Rip Fence (See Diagram D)	A92	Hex Bolt M6 x 16mm
A93	Table Insert Right	A94	Screw M6 x 10mm
A95	Screw M4 x 10mm	A96	Table Insert Left

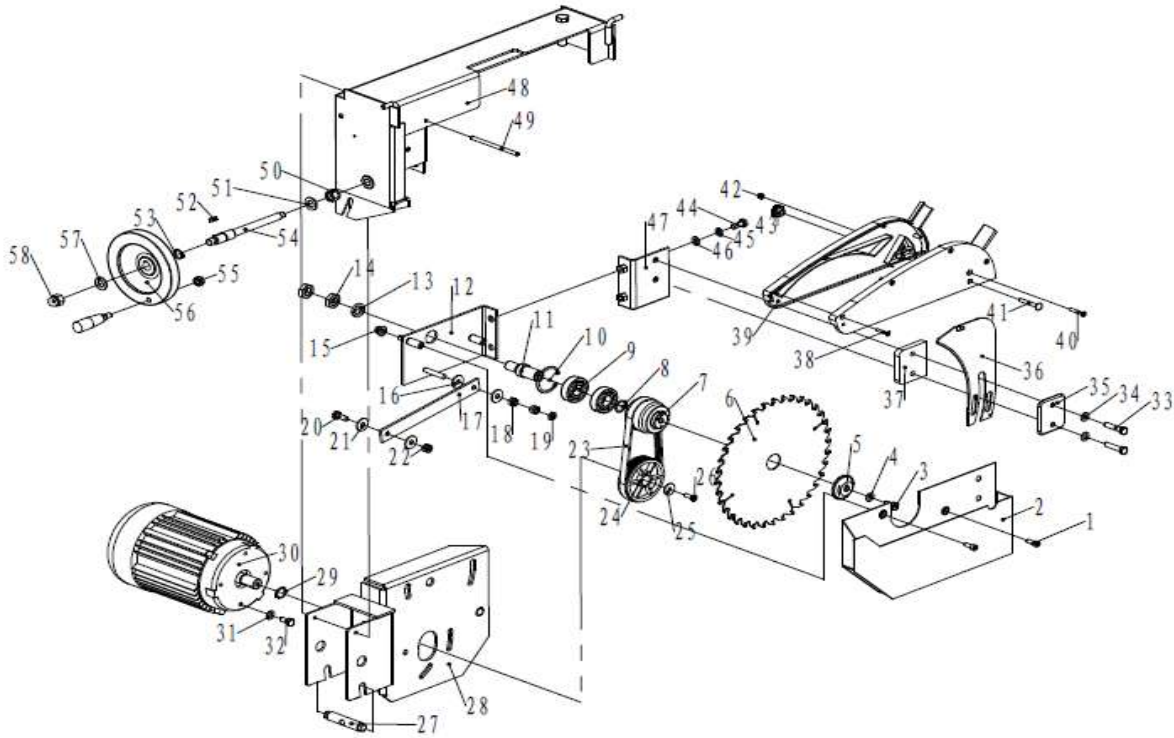
CHARNWOOD W629 PARTS DIAGRAM B



CHARNWOOD W629 PARTS LIST B

B01	C Shaped Ring	B02	Sliding Axle
B03	Eccentric Bush	B04	Hex Thin Nut M8
B05	Set Screw M8 x 25mm	B06	Eccentric Nut
B07	Trolley	B08	Washer M6
B09	T-Shape Bolt	B10	Set Screw M8 x 10mm
B11	Eccentric Nut	B12	CSK Screw M6 x 35mm
B13	Thumb Screw	B14	Washer M6
B15	Connecting Block	B16	Hex Nut M6
B17	Washer M6	B18	Plastic Tip
B19	Hex Bolt M6 x 25mm	B20	Angle Fence
B21	C Ring M12	B22	Press Handle
B23	Square Nut	B24	Angle Ruler
B25	Sliding Table	B26	Locking Nut M10
B27	Washer M10	B28	Length Stop Plate
B29	Ratchet Handle	B30	Washer M6
B31	Stop Block	B32	Hex Bolt M6 x 35mm

CHARNWOOD W629 PARTS DIAGRAM C

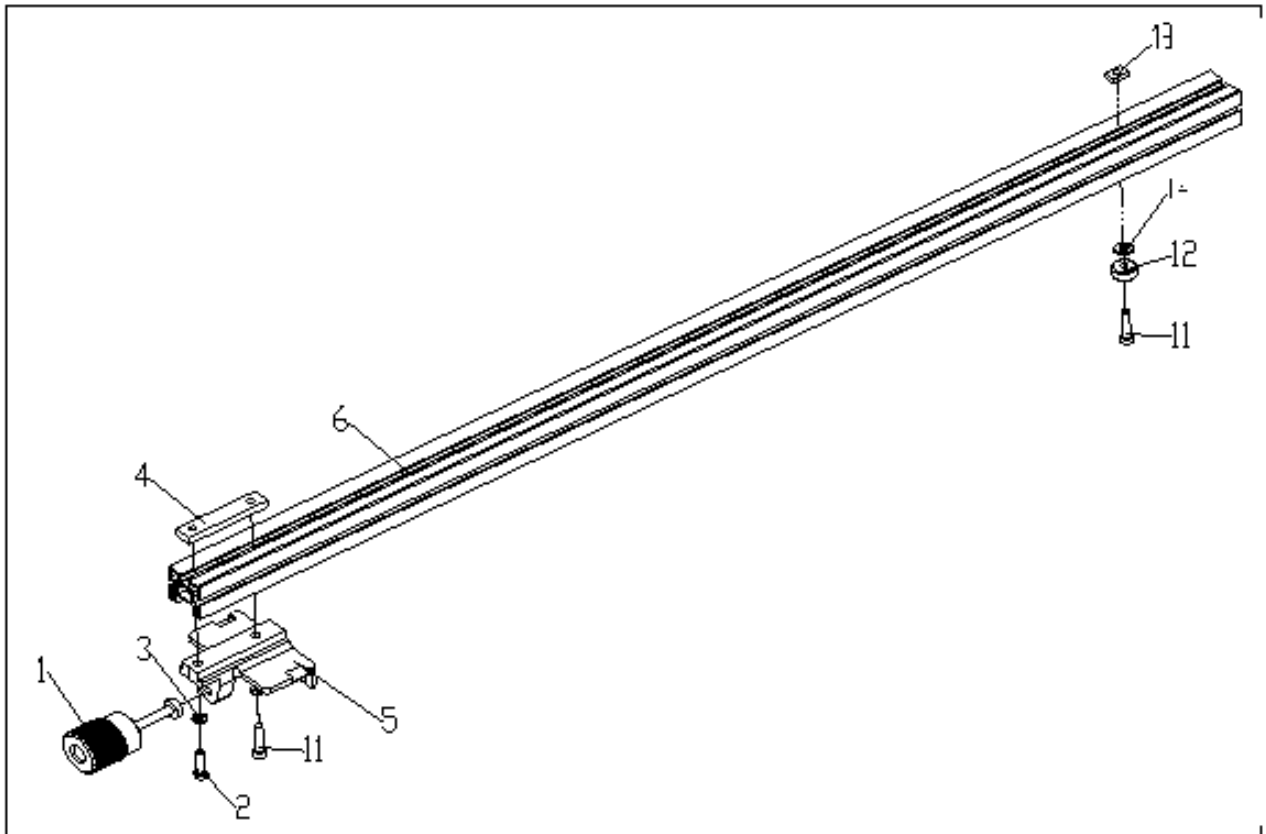


CHARNWOOD W629 PARTS LIST C

C01	Screw M6 x 16	C02	Dust Collector
C03	Hex Bolt M8 x 16mm	C04	Washer M8
C05	Blade Locking Washer	C06	Saw Blade
C07	Driven Pulley	C08	Circlip M20
C09	Bearing 6204	C10	Circlip M47
C11	Saw Axis	C12	Parallel Plate
C13	Spring Washer M16	C14	Thin Hex Nut M16
C15	Hex Nut M8	C16	Large Washer M8
C17	Connecting Plate	C18	Hex Locking Nut M8
C19	Thin Hex Nut M8	C20	Hex Bolt M8 x 20mm
C21	Large Washer M8	C22	Hex Locking Nut M8
C23	Drive Belt 5J384	C24	Motor Pulley
C25	Very Large Washer M6	C26	Hex Bolt M6 x 16mm
C27	Turning Pole	C28	Motor Rack
C29	19mm Circlip	C30	Motor
C31	Washer M8	C32	Hex Bolt M6 x 16mm
C33	Hex Bolt M8 x 35	C34	Washer M8
C35	Clamp Plate	C36	Riving Knife
C37	Clamp Plate	C38	Screw 3.5 x 25mm
C39	Exterior Dust Collector	C40	Screw M5 x 30mm
C41	Round Bolt M6 x 40mm	C42	Hex Locking Nut M5
C43	Locking Knob M6 Female	C44	Hex Bolt M8 x 20mm
C45	Spring Washer M8	C46	Washer M8
C47	Parallel Plate	C48	Tilting Support

C49	Pin 8 x 110mm	C50	Hex Locking Nut M12
C51	Washer M12	C52	Key 5 x 15
C53	Circlip M16	C54	Bolt Shaft
C55	Hex Nut M8	C56	Hand Wheel
C57	Washer M12	C58	Hex Nut M12
SPAN	Blade Lock Spanner	CAP	Capacitor 20uf 450Vac M8 Stud

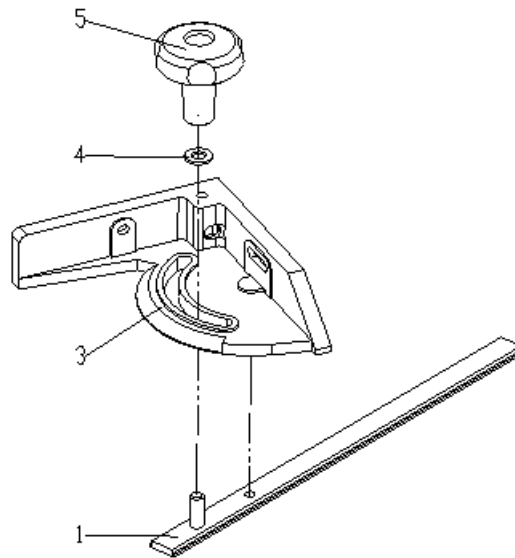
CHARNWOOD W629 PARTS DIAGRAM D



CHARNWOOD W629 PARTS LIST D

D01	Locking Handle	D02	Hex Bolt M6 x 25mm
D03	Washer M6	D04	Fixing Plate
D05	Rip Fence Bracket	D06	Rip Fence Extrusion
D11	Socket Cap Screw M6 x 30mm	D12	Rubber Foot
D13	Hex Nut M6	D14	Washer M6

CHARNWOOD W629 PARTS DIAGRAM E



CHARNWOOD W629 PARTS LIST E

E01	T Shaped Runner	E03	Mitre Gauge
E04	Washer M8	E05	Long Handle



Woodworking machinery at its best!

Charnwood, Cedar Court, Walker Road,
Hilltop Industrial Estate, Bardon Hill, Leicestershire, LE67 1TU

Tel. 01530 516 926 Fax. 01530 516 929
email: sales@charnwood.net website: www.charnwood.net